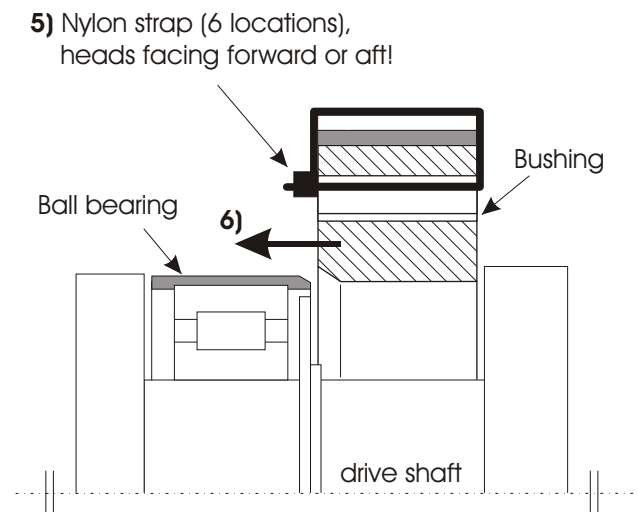
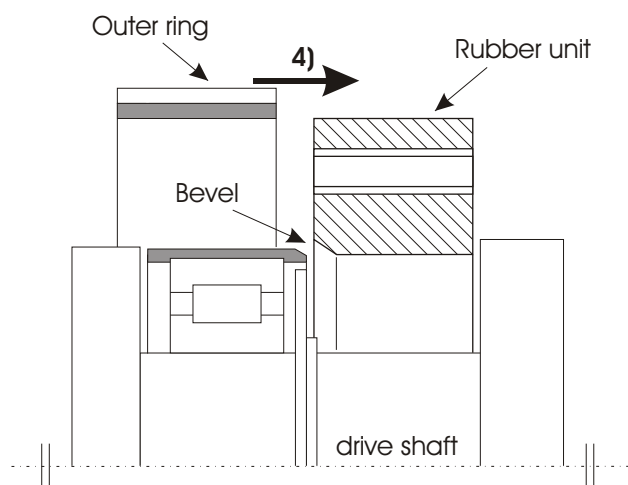
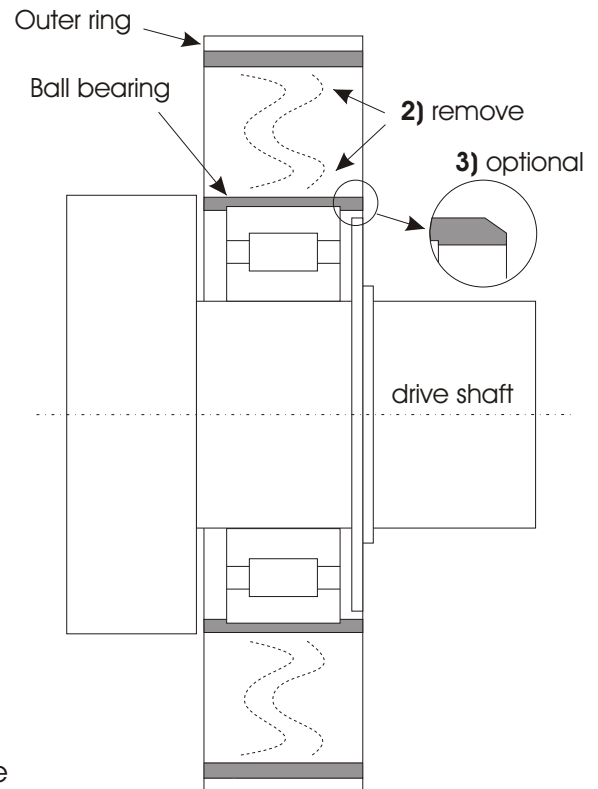


# Audi A4 8E, A6 4F, A8 4E - Repair of a Worn Propeller Schaft Center Support Mount without Dissassembly of the Shaft

- 1) Loosen center support mount outer ring from the car.
- 2) Remove/cut off rubber remains from the outer ring and from the ball bearing. **Keep rubber layer (1-2mm) on the ball bearing outer race and rubber inlay (2-3mm) on the outer ring to ensure the repair kit fits with correct tension.**
- 3) **Option:** The rubber at the rim of the ball bearing may be trimmed to a slight chamfer.
- 4) Put the new rubber unit around the the drive shaft between the roller bearing and the CV-joint **Opening on top! Bevel facing toward the ball bearing!** and position it into the outer ring.
- 5) Install all 6 tie straps to attach the rubber unit to the outer ring, **heads facing fwd or aft** (see figure).
- 6) Move the whole assy over the bearing. Start on top. Silicone spray may help (before you start trimming the rubber layer at the ball bearing). Finally align the unit with the bearing.



- 7) Re-install center support mount on the car.

**Accomplishment of this alternative repair is on the risk of the car owner who bears liability for any kind of consequence.** If any noise or vibration is evident after installation there may be other root causes, for example: a worn flex disk, a shaft unbalance, a damaged ball bearing or a worn CV-joint. **Accordingly vibration and/or noise are no reasons for claiming warranty after accomplishment of the repair.**

Material: rubber unit (Platinum-Silicone -60°C to 200°C) with 6 Nylon-bushings,  
6 straps (Nylon, 3,6mm, 182N, UV-resistant, -40°C to 85°C) **No toy, not for Children!**